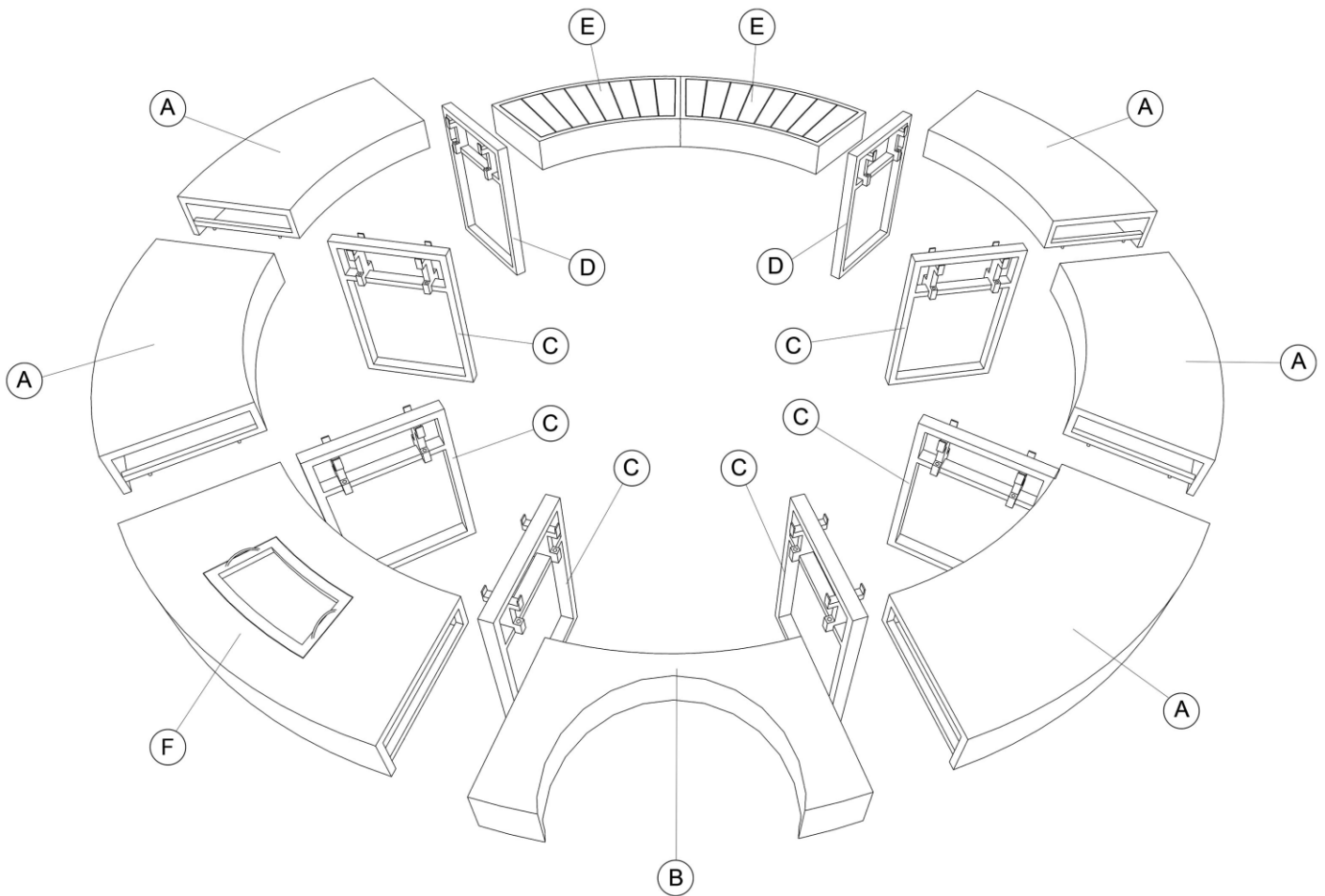


# Assembly Instruction

## New Boca Raton Surround

### Step 1

Lay out components and hardware. Take inventory to confirm that no part are missing or damage. Assembly requires one Hex key and two 10 mm and 11 mm wrenches or sockets (supplied). Components are labeled with letter and hardware is labeled with number



### COMPONENTS

	PART#	DESCRIPTION	QTY
BOX A	A	TOP SECTION	5
	B	HYDROMATE CUT OUT SECTION	1
BOX B	C	LEG, NOT FULL POLYRATTAN	6
	D	LEG, FULL POLYRATTAN (BESIDE STEPPER)	2
	E	STEP WITH WOOD INLAY	2
	F	TOP SECTION (WITH TRAY)	1

### HARDWARE KIT COMPONENTS

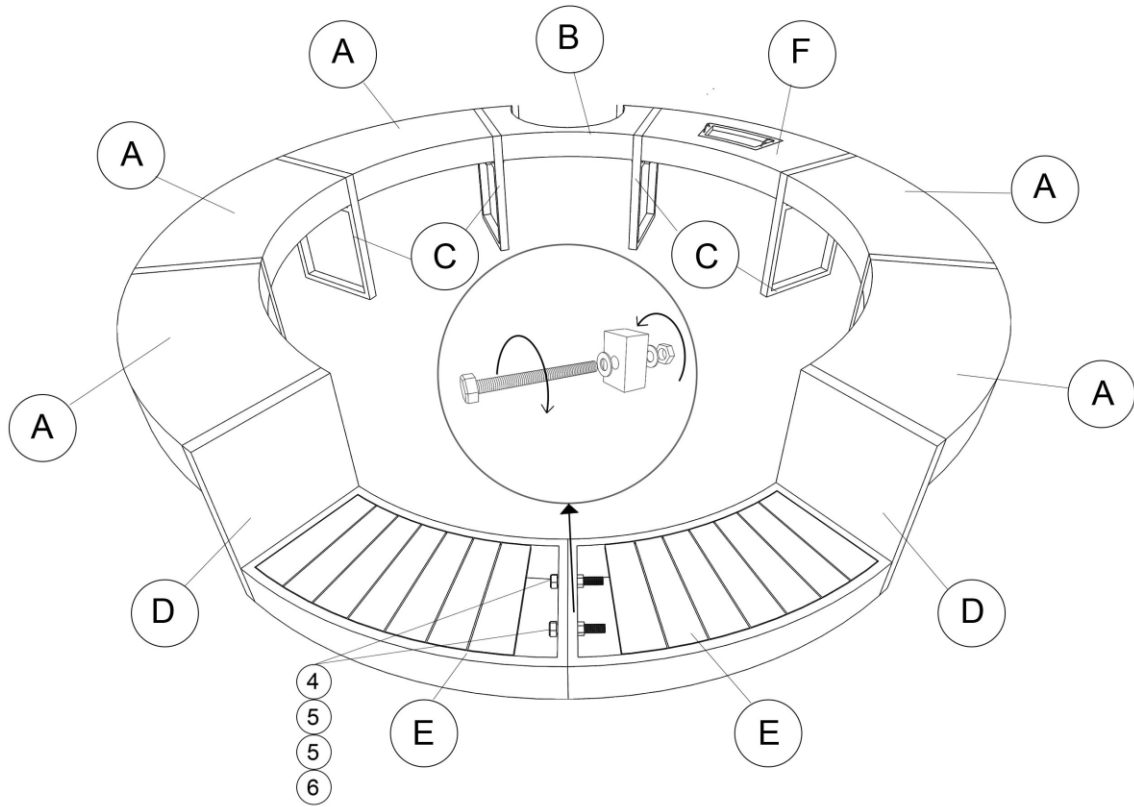
LOCATED IN BOX B

PART#	DESCRIPTION	QTY
1	HEX KEY	1
2	WRENCH	1
3	1-1/2" BOLT	8
4	3-1/2" BOLT	3
5	MEDIUM WASHER	16
6	NUT	3

HARDWARE KITS ARE UNIVERSAL AND MAY CONTAIN EXTRA HARDWARE

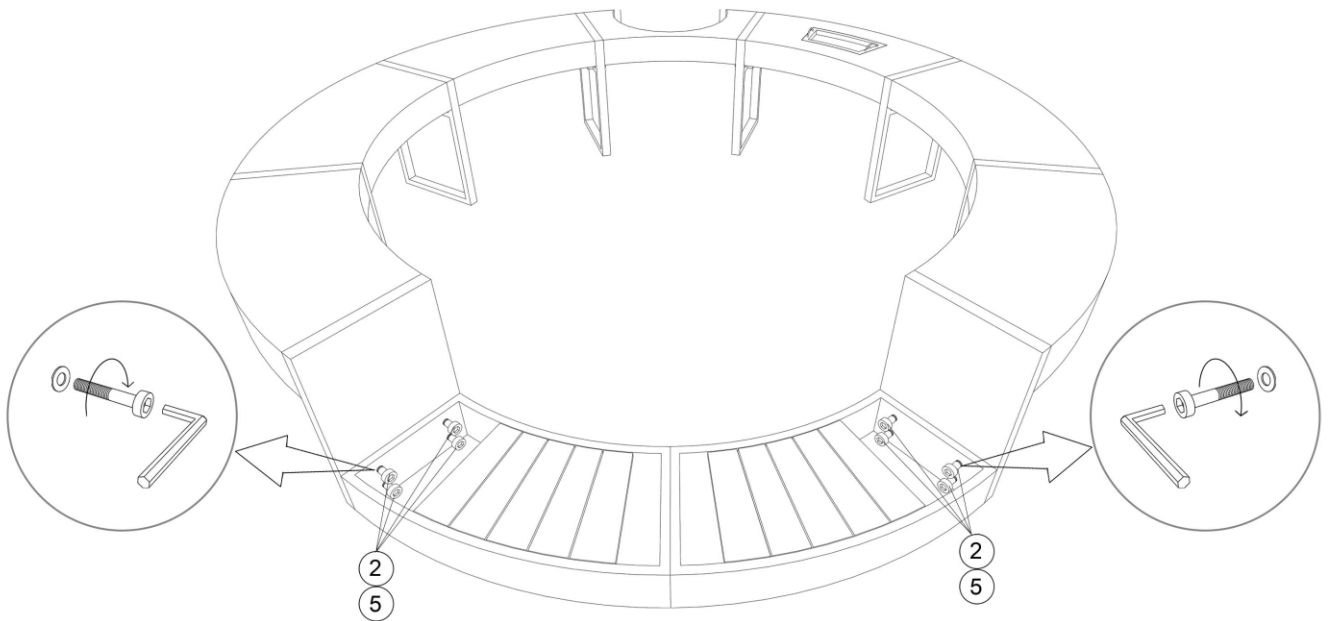
## Step 2

Assemble Step pieces. Turn the step pieces upside - down and remove wood wood inlay from section pieces, then bolt them together



## Step 3

Assemble Step pieces and Leg full polyrattan. Turn the step pieces upside - down (after step 2 done) and bolt them to the leg, then put wood inlay to section pieces.



# Step 4

Assemble top section to the leg, put top section on the leg. Do one by one,  
And same assemble for pump section

