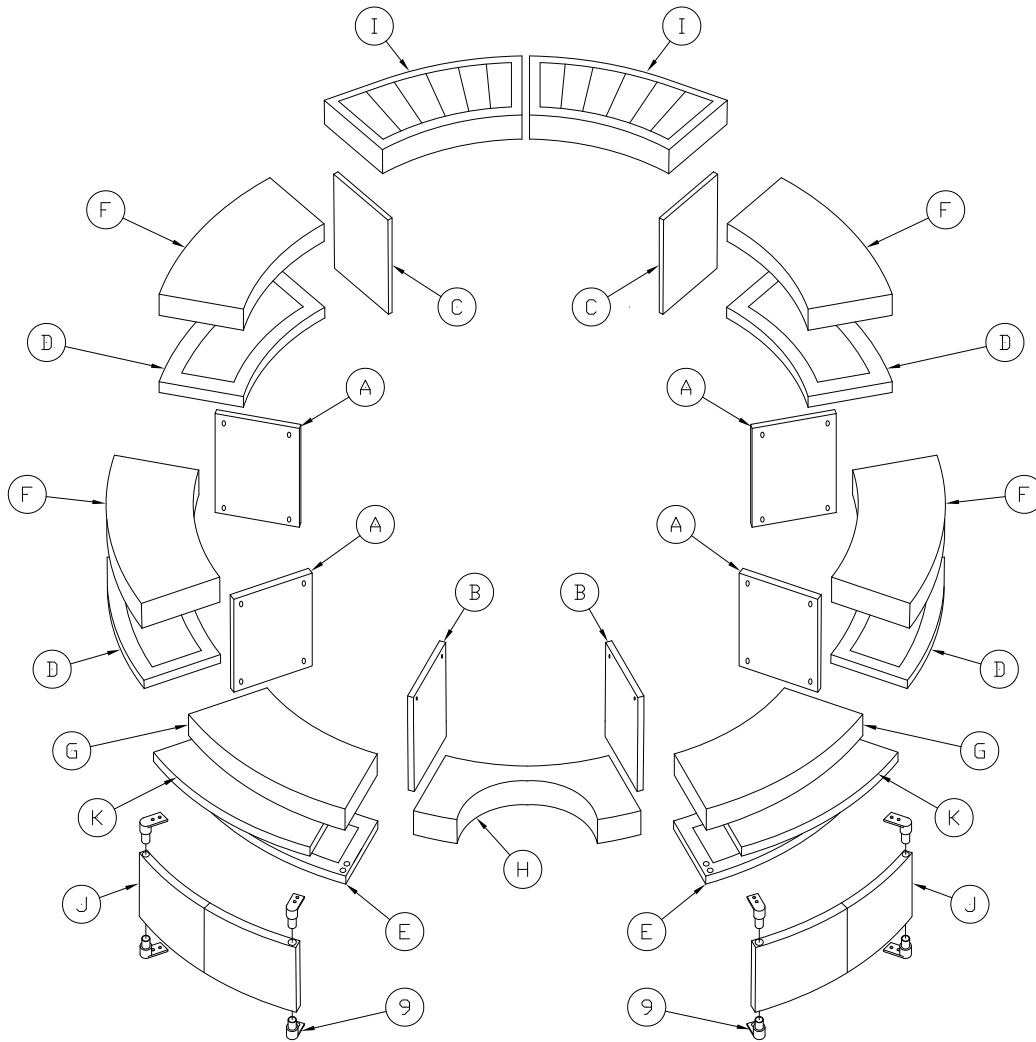


ASSEMBLY INSTRUCTIONS

SAN DIEGO POLY-RATTAN SURROUND

STEP 1

Lay out components and hardware. Take inventory to confirm that no parts are missing or damaged. Assembly requires one Hex Key (supplied), and two 10mm and 11mm wrenches or sockets (not supplied). Components are labeled with letters and hardware is labeled with numbers.



COMPONENTS

	PART#	DESCRIPTION	QTY.
BOX A	A	LEG, CENTER (4 HOLES THROUGH)	4
	B	LEG, END CAP (2 HOLES THROUGH)	2
	C	LEG, END CAP (0 HOLES THROUGH)	2
	J	DOORS	4
BOX B	D	BOTTOM SECTION W/INLAY	4
	E	BOTTOM SECTION W/DOOR HINGE HOLES	2
BOX C	F	TOP SECTION (NO DOOR HINGE HOLES)	4
	G	TOP SECTION (WITH DOOR HINGE HOLES)	2
BOX D	H	HYDROMATE CUT OUT SECTION	1
	I	STEP W/ WOOD INLAY	2
		ASSEMBLY INSTRUCTIONS	1
		HARDWARE KIT	1

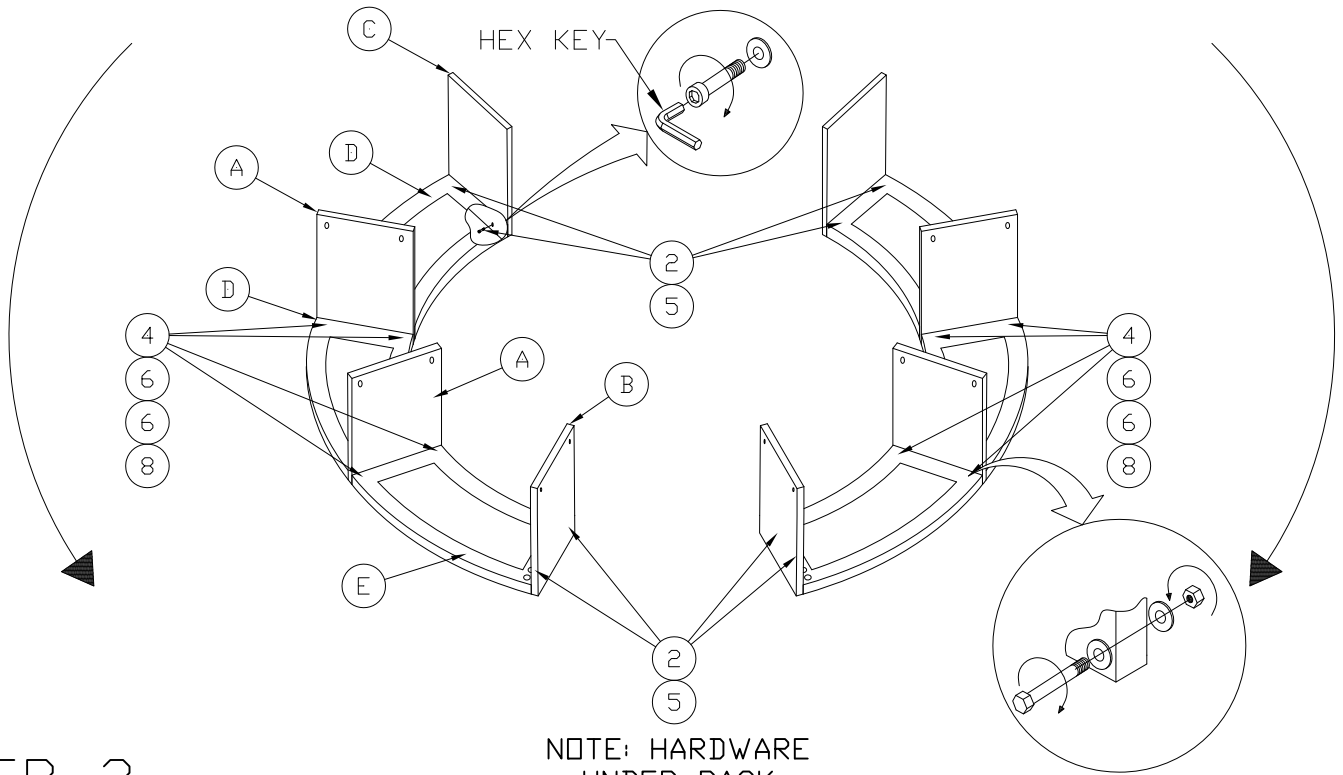
HARDWARE KIT COMPONENTS

LOCATED IN BOX D		
PART #	DESCRIPTION	QTY.
-	HEX KEY	1
1	1" BOLT	16
2	2" BOLT	12
3	3-1/2" BOLT	3
4	5-1/2" BOLT	20
5	SMALL WASHER	12
6	MEDIUM WASHER	46
7	LARGE WASHER	4
8	NUT	23
9	DOOR HINGE	8

HARDWARE KITS ARE UNIVERSAL AND MAY CONTAIN EXTRA HARDWARE.

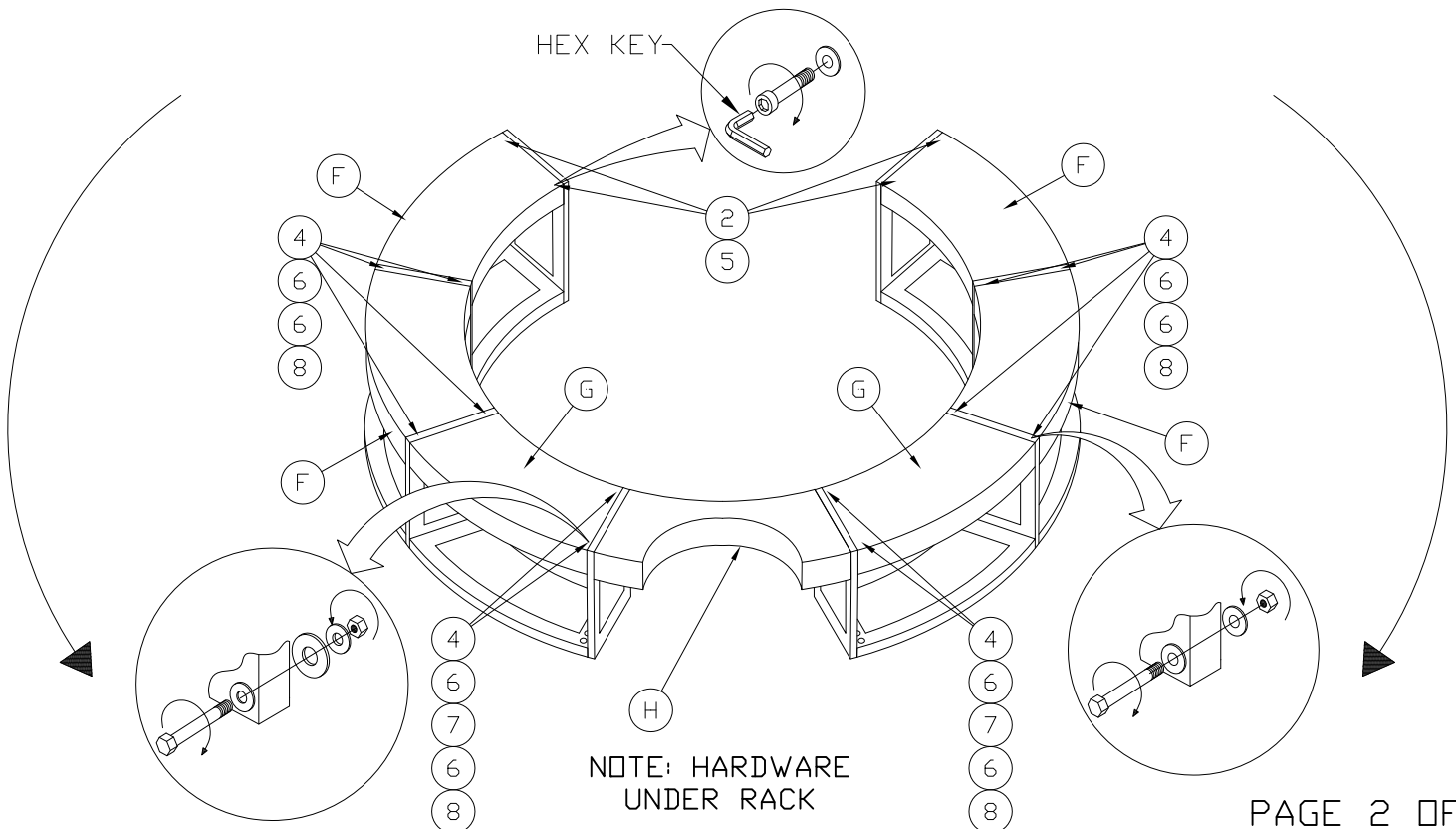
STEP 2

Assemble Endcaps, Legs, and Bottom Section pieces as shown. Remove inlay pieces from Bottom section pieces during this step. Begin working from one end toward the other as indicated by the arrows below.



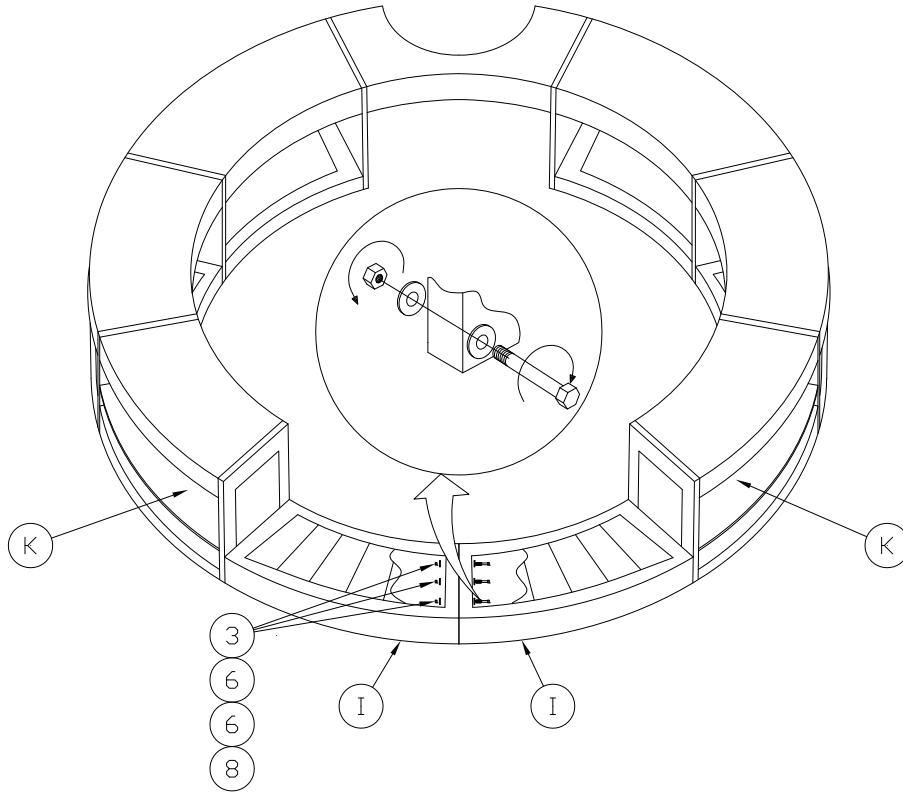
STEP 3

Assemble Top section pieces and Hydromate Cutout section as shown. Begin working from one end toward the other as indicated by the arrows below, leaving the last set of hardware on either side of part B loose. Slide the slots on the underside of the Hydromate cutout section over the loose bolts. Tighten the hardware.



STEP 4

Assemble Step pieces as shown. Turn Step pieces upside-down and bolt them together, then turn them right-side up and move into place. Slide shelf pieces (K) into place.



STEP 5

Assemble Door and Hinge pieces as shown. Insert Hinges into sockets on the door pieces. Move Door with Hinge pieces into place and install with hardware as shown.

